

• OCTASPRINT.
A QUICK BUILD
EXHIBITION STAND
FOR SMALL SPACES.



exhibition systems

presentation systems



THE
WORLD
OF
SYSTEMS

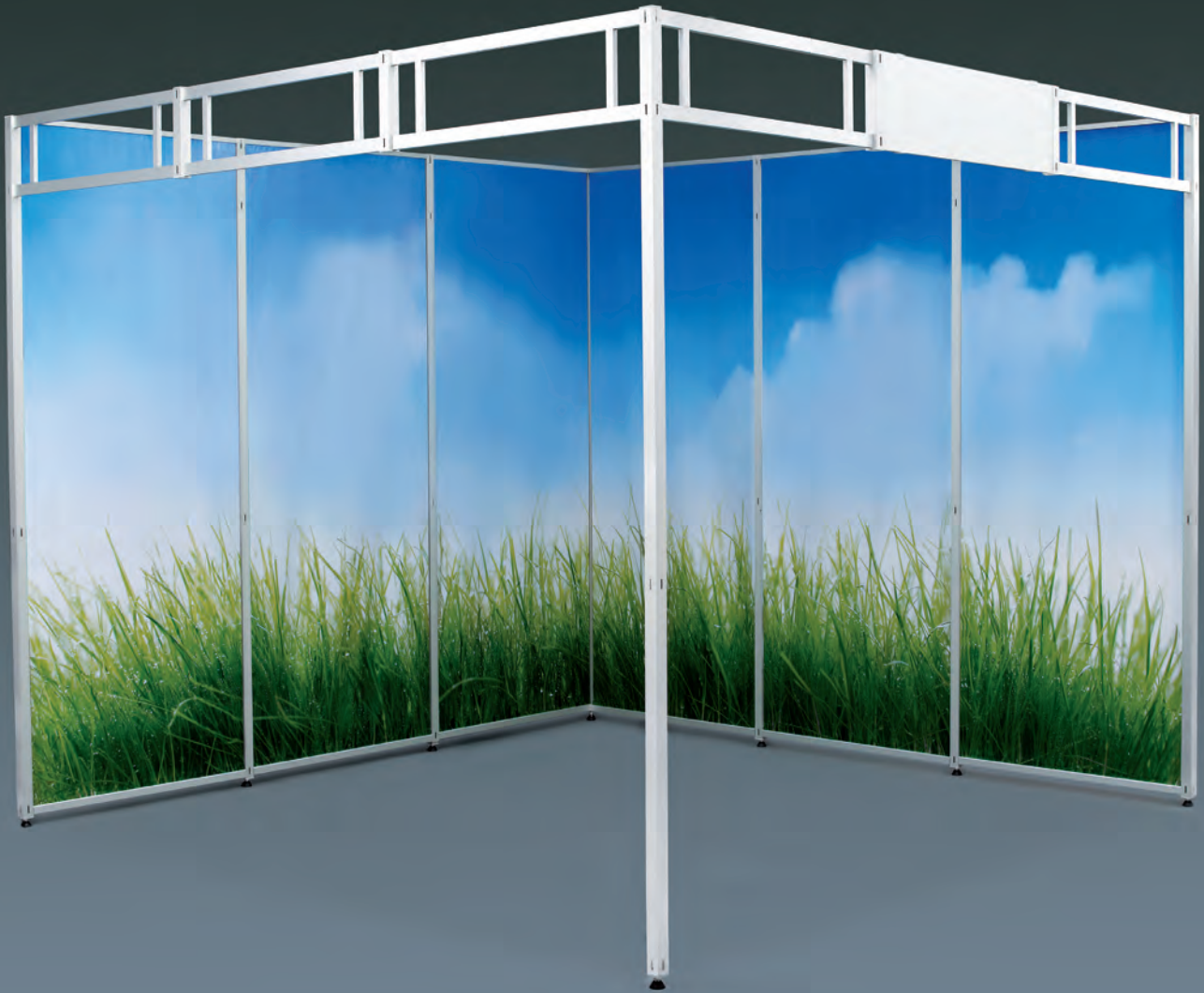
OCTANORM 

.OCTASPRINT.
A QUICK BUILD
EXHIBITION STAND
FOR SMALL SPACES.

IF YOU REQUIRE SHORT SET-UP AND DISMANTLING TIMES,
OCTASPRINT IS THE PERFECT BOOTH FOR YOU.

ADVANTAGES

- Quick and easy set-up
- Tried and tested tension lock connection
- Aluminium uprights are in sections for compact and easy transportation in a station wagon or by courier
- A perfect solution for small spaces that can be set up by the exhibitor themself
- Sturdy cardboard packaging with handles for multiple use
- Optional wheeled transport cases available
- New suspension technique for fabric banners – no tools required
- Classical, elegant and timeless design for corner and in-line booths up to 25 m²
- Wide range of accessories such as spotlights, shelves and brochure racks



OCTASPRINT

THE SPRINTER AMONG THE EXHIBITION BOOTHS

OCTAsprint is the perfect exhibition stand for a practical Do-it-yourself exhibitor. The system is especially designed for small footprints up to 25 m². As the uprights come in sections, they can be packed in small boxes or cases and easily transported in a station wagon or by courier. The fabric banners are easily attached to the upper beams without tools – even freshmen are able to realize smaller stand designs. Mistakes during assembly are virtually impossible thanks to the slot connection technique. A wide range of accessories such as spotlights, shelves and brochure racks add to the professional and elegant appearance of the OCTAsprint exhibition booth. Components are shipped in sturdy cardboard boxes and optional cases are available.



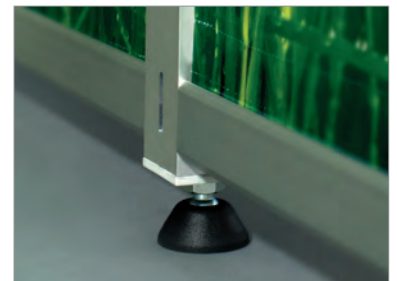
Model example SP 331: corner stand 3 x 3 m, 1 x SP 410, 5 x SP 420, 1 x SP 440, 5 x SP 430



Fascia set with retainer SP 75



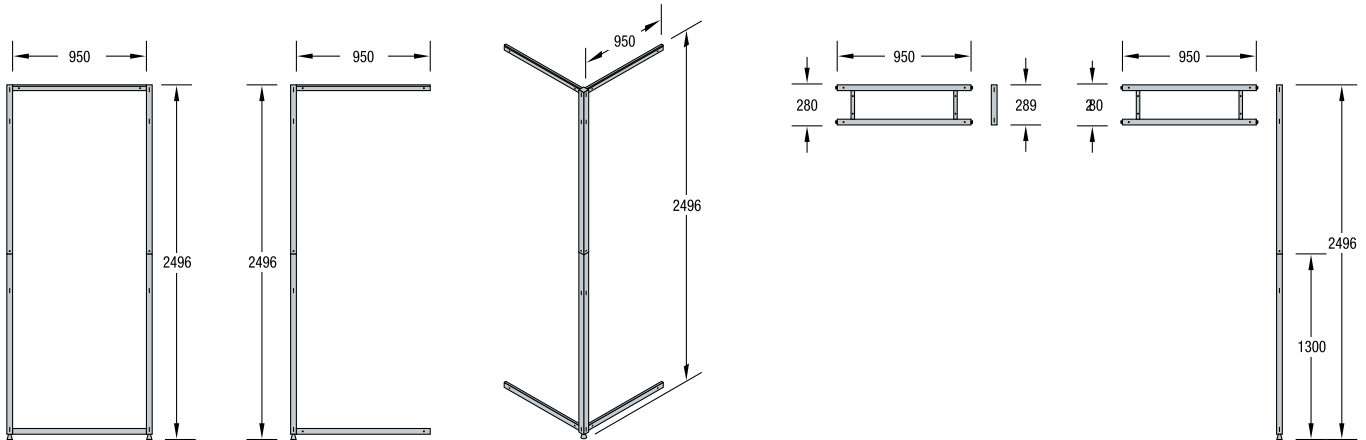
How to attach a fabric banner



Upright with adjustable foot



BASIC MODULES:



SP 410
Basic set incl. inserted
mounting extrusions
SP 326 and SP 328

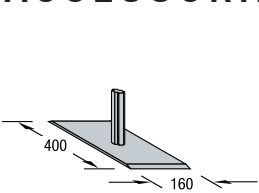
SP 420
Extension set incl. inserted
mounting extrusions
SP 326 and SP 328

SP 450
Booth set incl. inserted
mounting extrusions
SP 326 and SP 328

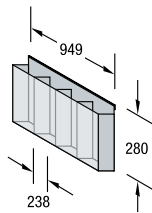
SP 430
Flat truss beam set
with ceiling connector
SP 130

SP 440
Flat truss beam set
with upright

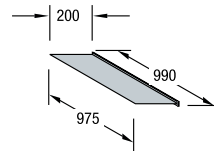
ACCESSORIES:



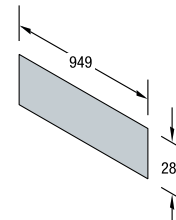
SP 160
Base plate incl. adaptor,
steel, silver



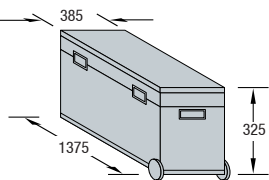
SP 81
Literature holder set
incl. suspension extrusion
SP 340



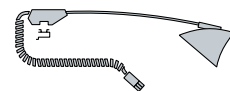
SP 80
Shelf set
incl. suspension extrusion
SP 340



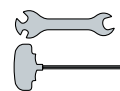
SP 70
Fascia set, white,
plastic panel, 4 mm,
incl. 4 retainers SP 75



Q 502
with carry handle and castors
for all sets



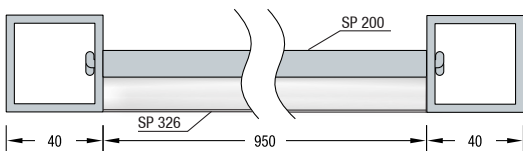
VA 5020
Halogen spotlight
150 W / 230 V



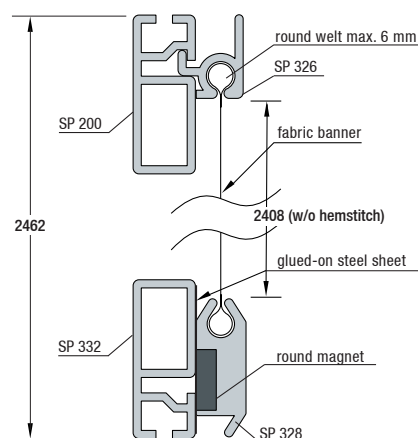
Q 99
Assembly tool set

TECHNICAL INFORMATION:

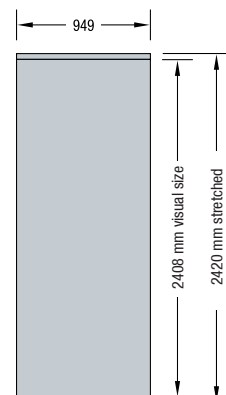
Horizontal view (top)



Vertical view



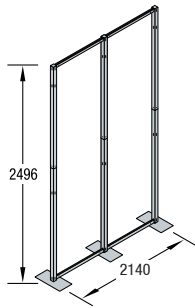
Fabric banner, stretched



**.OCTASPRINT.
PARTS LISTS.**

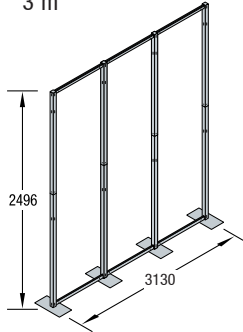
(WITHOUT SPOTLIGHTS, SHIPPING CASES AND BOOTH SETS)

Straight wall SP 92
2 m



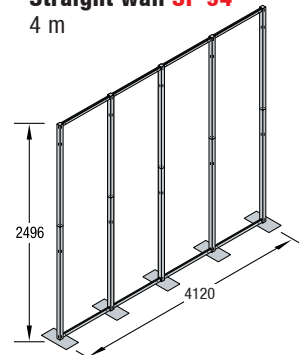
- 1 basic set SP 410
- 1 extension set SP 420
- 3 base plates SP 160

Straight wall SP 93
3 m



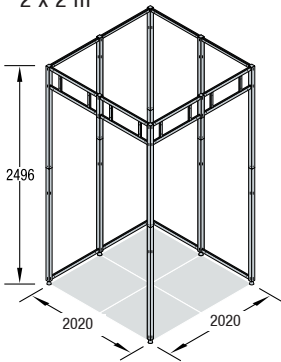
- 1 basic set SP 410
- 2 extension sets SP 420
- 4 base plates SP 160

Straight wall SP 94
4 m



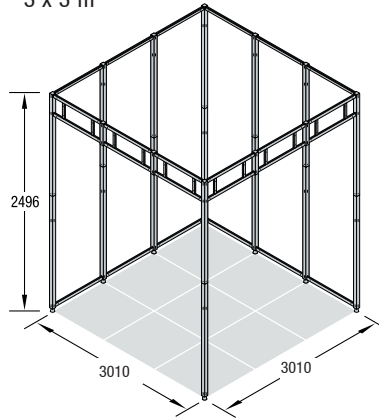
- 1 basic set SP 410
- 3 extension sets SP 420
- 5 base plates SP 160

Corner stand SP 221
2 x 2 m



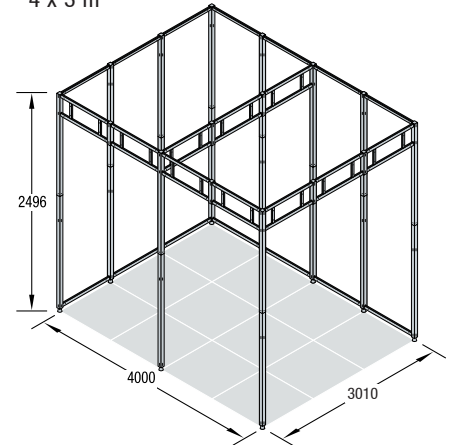
- 1 basic set SP 410
- 3 extension sets SP 420
- 1 flat truss beam set with upright SP 440
- 3 flat truss beam sets with connector SP 430

Corner stand SP 331
3 x 3 m



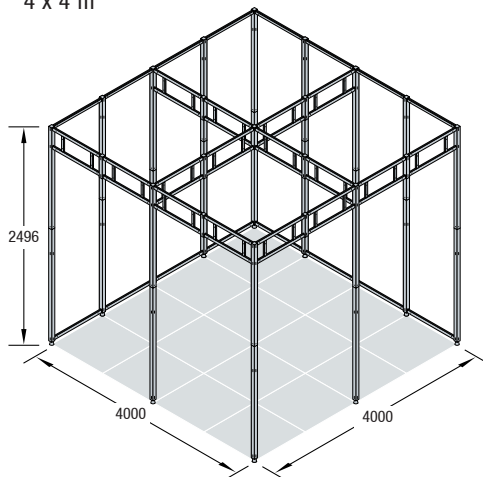
- 1 basic set SP 410
- 5 extension sets SP 420
- 1 flat truss beam set with upright SP 440
- 5 flat truss beam sets with connector SP 430

Corner stand SP 432
4 x 3 m



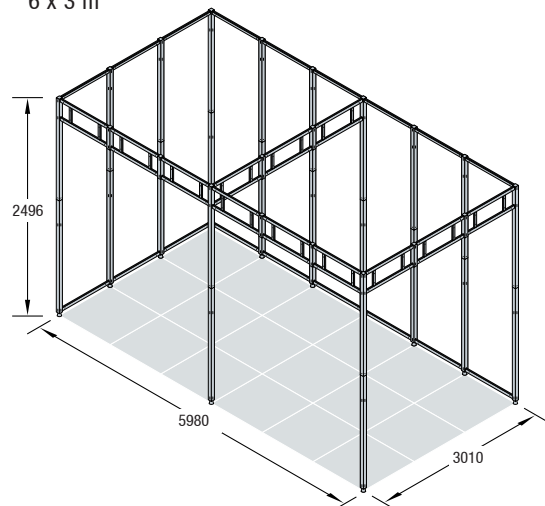
- 1 basic set SP 410
- 6 extension sets SP 420
- 2 flat truss beam sets with upright SP 440
- 8 flat truss beam sets with connector SP 430

Corner stand SP 443
4 x 4 m



- 1 basic set SP 410
- 7 extension sets SP 420
- 3 flat truss beam sets with upright SP 440
- 13 flat truss beam sets with connector SP 430

Corner stand SP 632
6 x 3 m

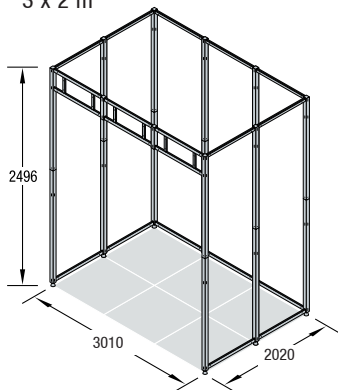


- 1 basic set SP 410
- 8 extension sets SP 420
- 2 flat truss beam sets with upright SP 440
- 10 flat truss beam sets with connector SP 430



In-Line Booth SP 322

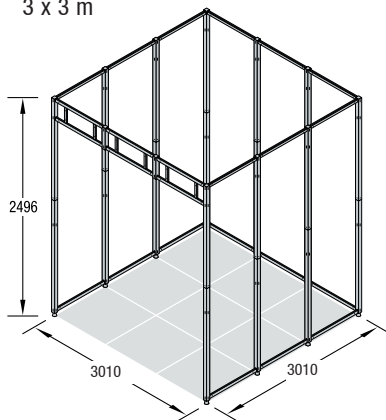
3 x 2 m



- 1 basic set SP 410
- 6 extension sets SP 420
- 3 flat truss beam sets with connector SP 430

In-Line Booth SP 333

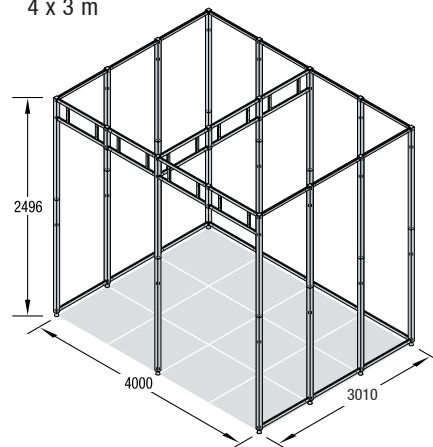
3 x 3 m



- 1 basic set SP 410
- 8 extension sets SP 420
- 3 flat truss beam sets with connector SP 430

In-Line Booth SP 433

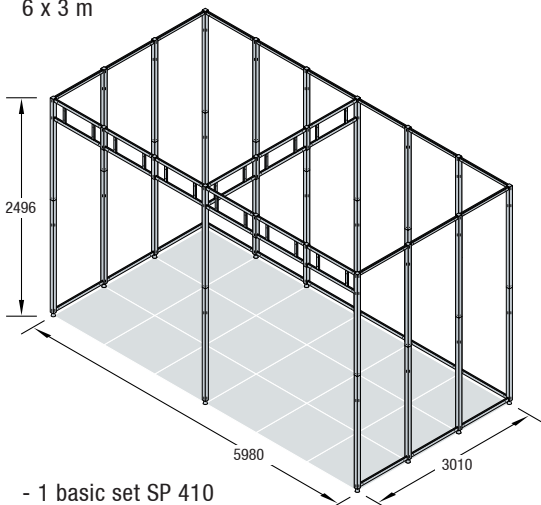
4 x 3 m



- 1 basic set SP 410
- 9 extension sets SP 420
- 1 flat truss beam set with upright SP 440
- 6 flat truss beam sets with connector SP 430

In-Line Booth SP 633

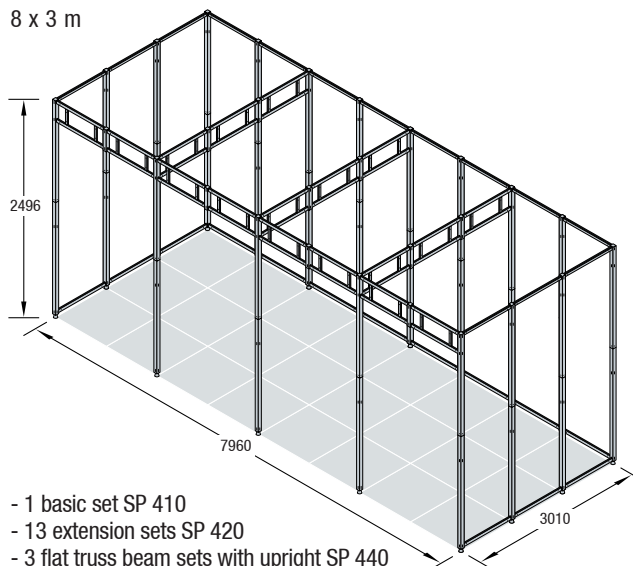
6 x 3 m



- 1 basic set SP 410
- 11 extension sets SP 420
- 1 flat truss beam set with upright SP 440
- 8 flat truss beam sets with connector SP 430

In-Line Booth SP 833

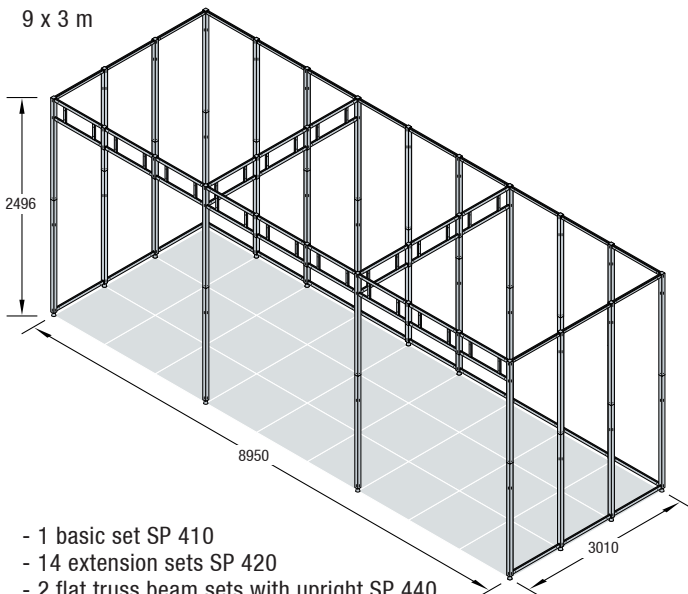
8 x 3 m



- 1 basic set SP 410
- 13 extension sets SP 420
- 3 flat truss beam sets with upright SP 440
- 14 flat truss beam sets with connector SP 430

In-Line Booth SP 933

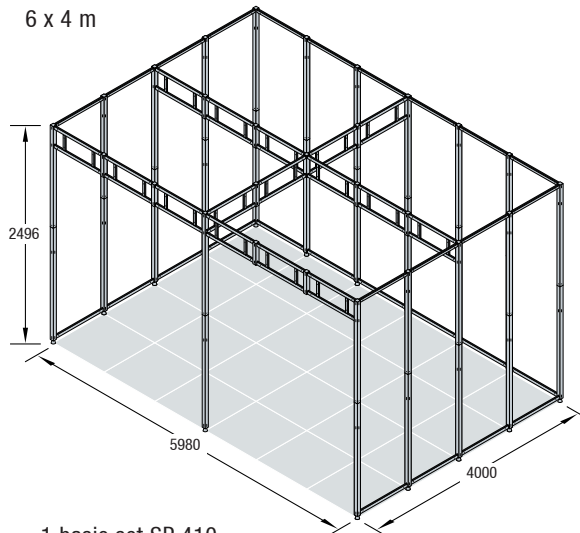
9 x 3 m



- 1 basic set SP 410
- 14 extension sets SP 420
- 2 flat truss beam sets with upright SP 440
- 13 flat truss beam sets with connector SP 430

In-Line Booth SP 644

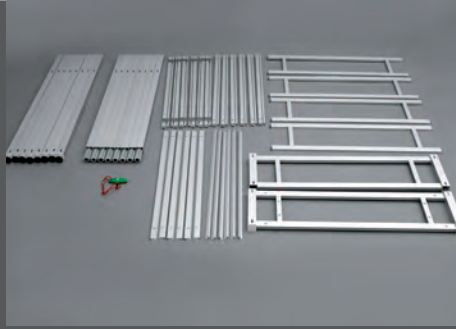
6 x 4 m



- 1 basic set SP 410
- 13 extension sets SP 420
- 1 flat truss beam set with upright SP 440
- 15 flat truss beam sets with connector SP 430

• THE IDEAL DIY EXHIBITION STAND.

exhibition systems
interior design systems
presentation systems
cleanroom systems
software and service



AW 606-GB_OC/Asprint_02/2011

OCTASPRINT:
TECHNICALLY SUPERIOR, AESTHETICALLY OUTSTANDING,
EASY AND QUICK TO USE.

THE
WORLD
OF
SYSTEMS

www.octanorm.com

OCTANORM 